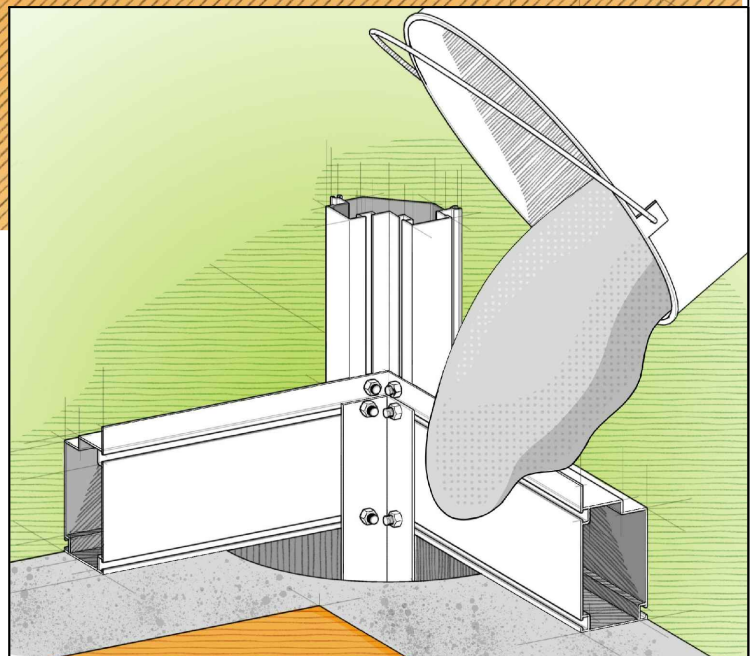
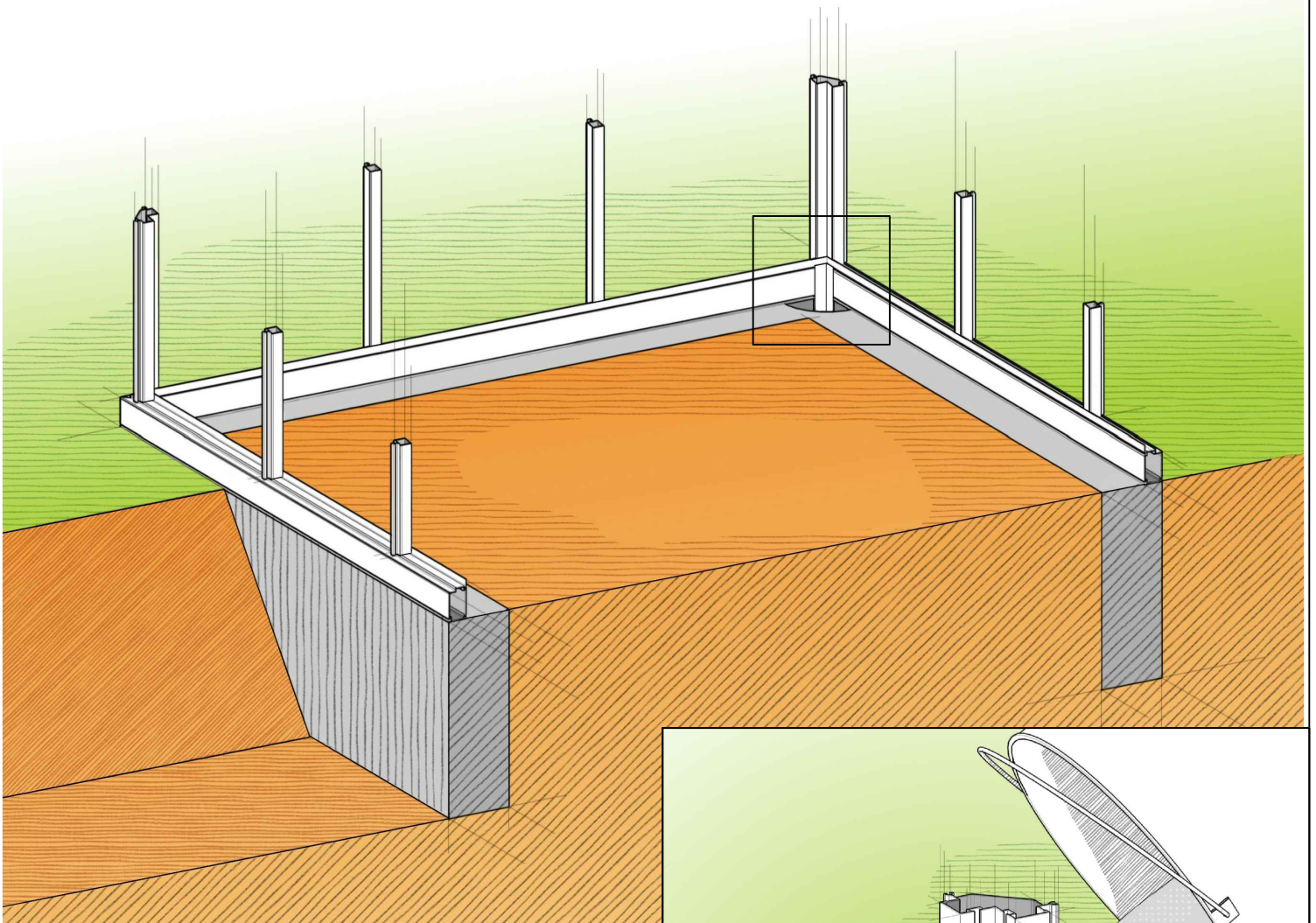
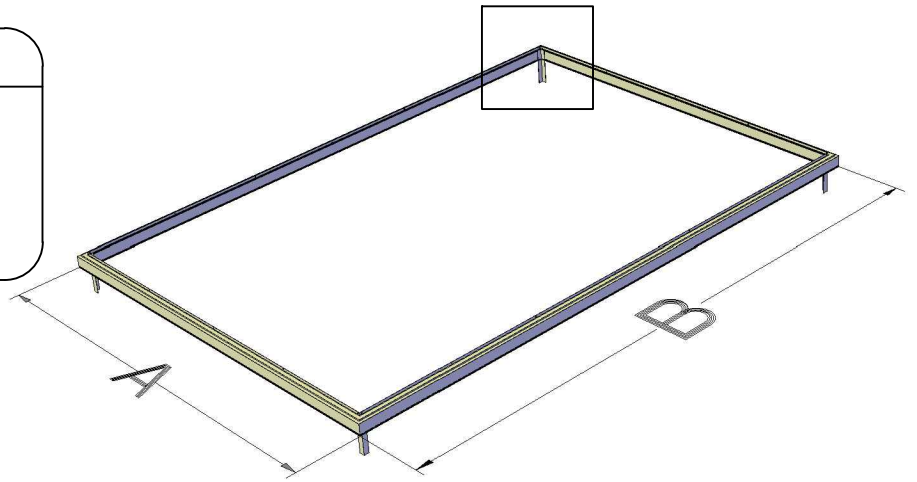


# " JUNIOR "

A	X	B
2.360mm		3.098mm
		3.836mm
		4.574mm



# Abmessungen Fundamentprofil

